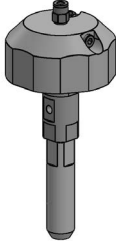
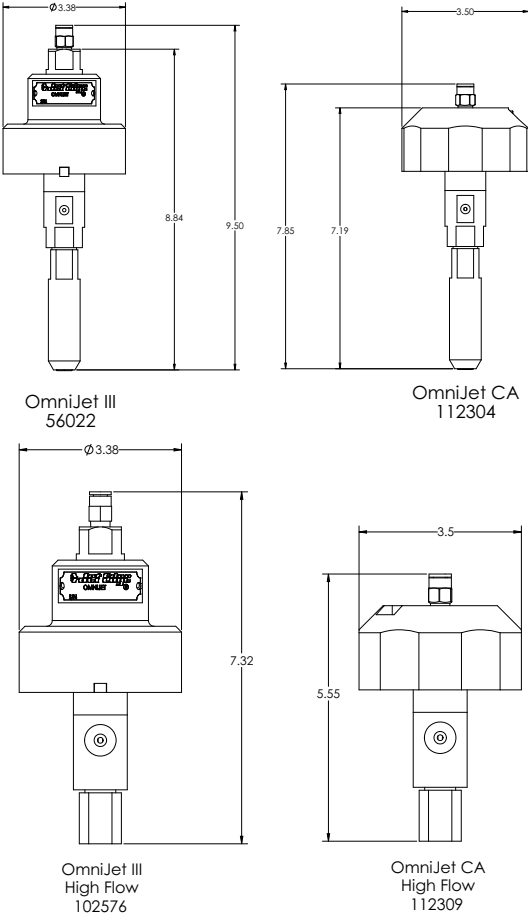
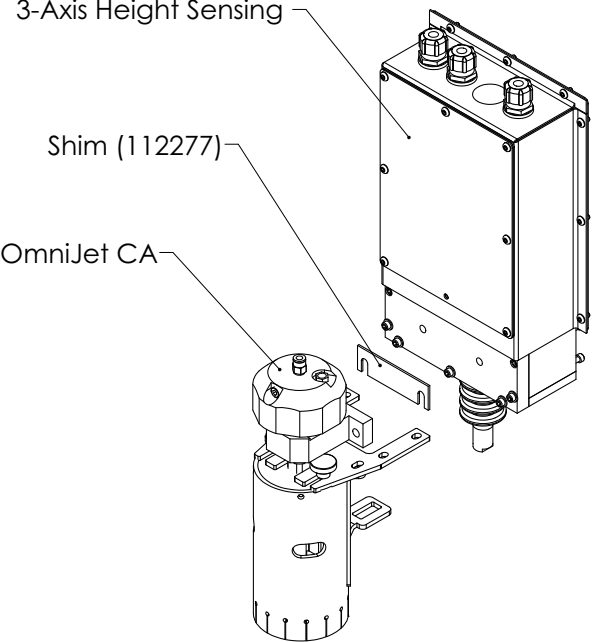
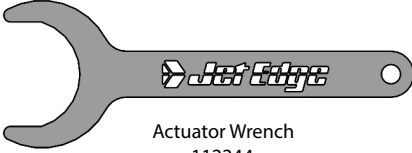


OmniJet CA, WaterJet

Purpose:	The new OmniJet CA, 3-Axis WaterJet assembly is replacing the current OmniJet WaterJet assembly on all new production.
Systems:	All 3-Axis Mid Rail and High Rail WaterJet systems.
Details:	<p>The OmniJet CA, 3-Axis WaterJet, rated up to 75k psi, incorporates an improved design and is replacing the OmniJet III.</p>  <p>The OmniJet CA has a larger actuator diameter of 3.5 inches, while the OmniJet III has an actuator diameter of 3.38 inches. The image below shows a comparison of the dimensions of both the OmniJet III and the OmniJet CA.</p>  <p>The diagrams show four models with their dimensions:</p> <ul style="list-style-type: none"> OmniJet III 56022: Actuator diameter $\varnothing 3.38$, total height 9.50, mounting height 8.34. OmniJet CA 112304: Actuator diameter 3.50, total height 7.19, mounting height 7.85. OmniJet III High Flow 102576: Actuator diameter $\varnothing 3.38$, total height 7.32. OmniJet CA High Flow 112309: Actuator diameter 3.5, total height 5.55.

OmniJet CA, WaterJet

<p>Details:</p>	<p>Please be aware that shims may be necessary (to be purchased separately) to accommodate size differences when mounting the cutting head, particularly for 3-axis height assemblies.</p> <div style="text-align: center;">  </div> <p>OmniJet CA is also easily serviceable with an actuator wrench.</p> <div style="text-align: center;">  <p>Actuator Wrench 112244</p> </div>
<p>Benefit:</p>	<p>Our field studies have shown the new cutting head design delivers higher quality edge finish and faster water on/off cycle times, and with multiple air inlets allow for greater flexibility in hose routing.</p> <p>The 60K and 75K units both use the same actuator, which greatly simplifies the line.</p> <p>The orifice options, mount options, and on-off repair kits do not change and are interchangeable between the two assemblies.</p>
<p>Order Now:</p>	<p>Call 1-800-JET-EDGE and ask for Parts Sales to learn more about this Technical Bulletin or email parts@jetedge.com with your questions. To view parts lists, schematics, and place online orders, visit our e-Commerce store. You must be a registered Jet Edge Business Partner to access the site.</p>

OmniJet CA Reference Chart

Old Part Number	New Part Number	New Description
56022	112304	ASSY, OMNIJET CA (COMPACT ACTUATOR)
56253	112305	REMOTE ON/OFF W/COMPACT ACTUATOR, 1/4"
56364	112306	ASSY, OMNIJET CA, LONG MOUNT
100842	112307	ASSY, OMNIJET CA, PRECISION MOUNT
110893	112292	ASSY, COMPACT ACTUATOR W/VALVE BODY
103097	112308	REMOTE ON/OFF W/COMPACT ACTUATOR, 3/8"
102576	112309	ASSEMBLY, OMNIJET CA, HIGH FLOW
110826	112294	ASSY, ACTUATOR, COMPACT, HIGH FLOW
56426	112310	ASSY, CA, PRECISION MOUNT WITH PERM II
108401	112291	ASSY, PERMALIGN ARROW SL
56496	110917	ASSY, ACTUATOR, COMPACT
110427	110917	ASSY, ACTUATOR, COMPACT
107708	112291	ASSY, PERMALIGN ARROW SL
106265	112292	ASSY, COMPACT ACTUATOR W/VALVE BODY